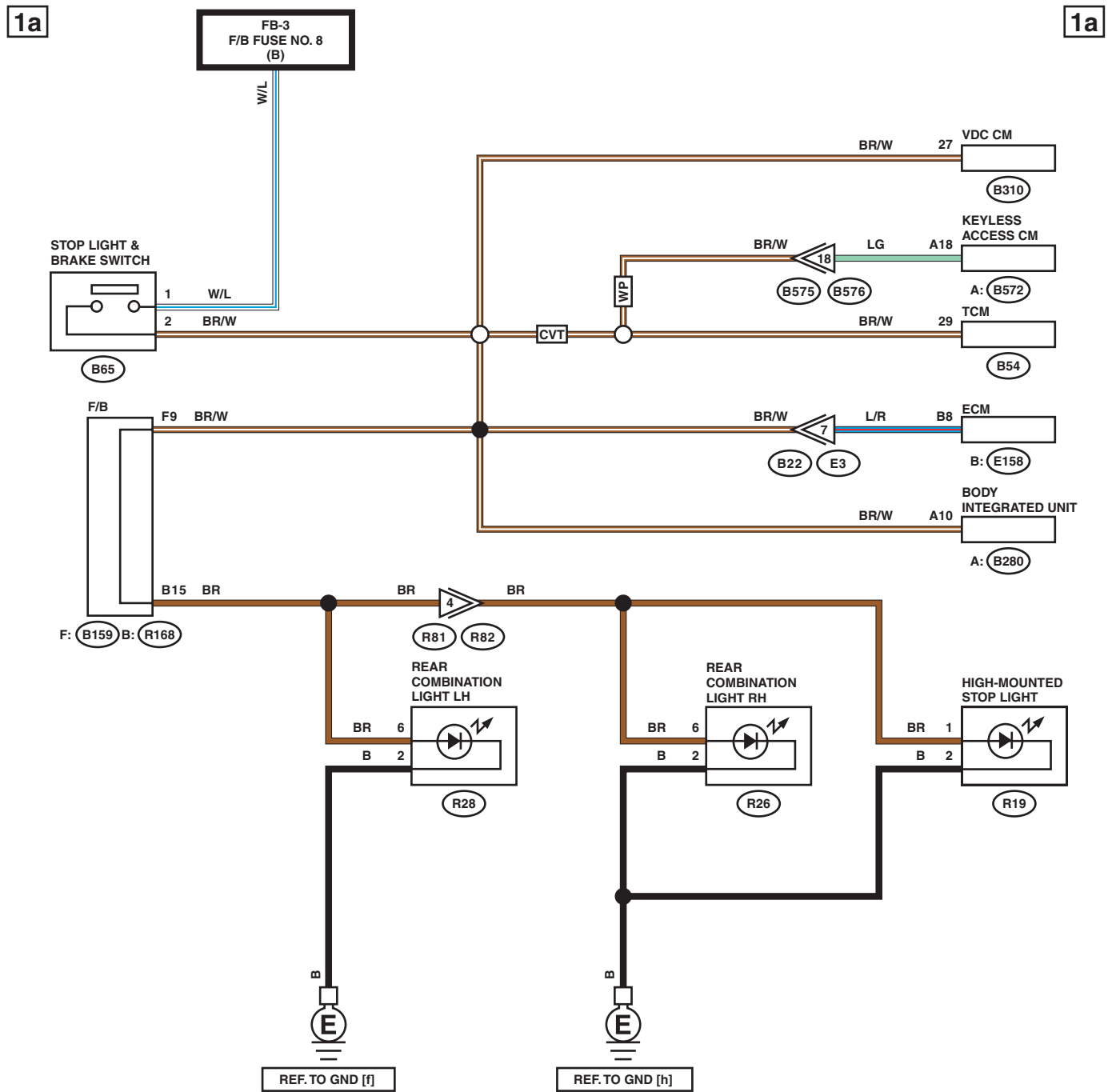


53. Stop Light System

A: WIRING DIAGRAM

1. ENGINE TYPE FA



WP : WITH PUSH BUTTON START

WI-44587

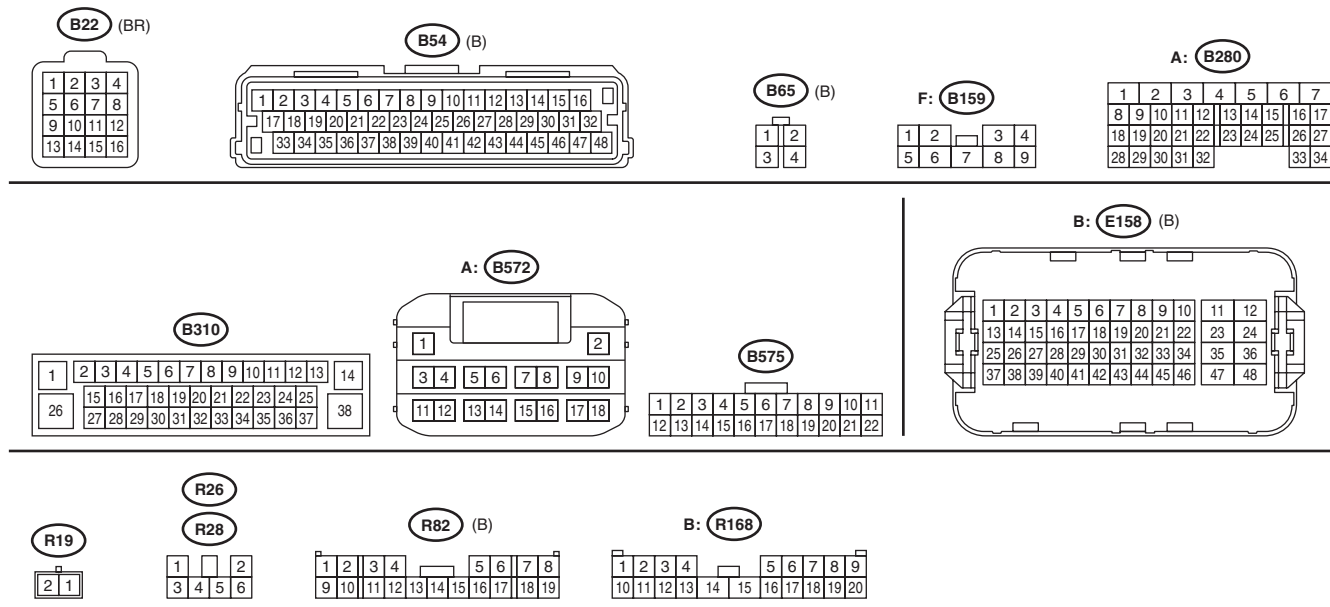
Stop Light System

WIRING SYSTEM

1b

1b

LIST OF CONNECTORS



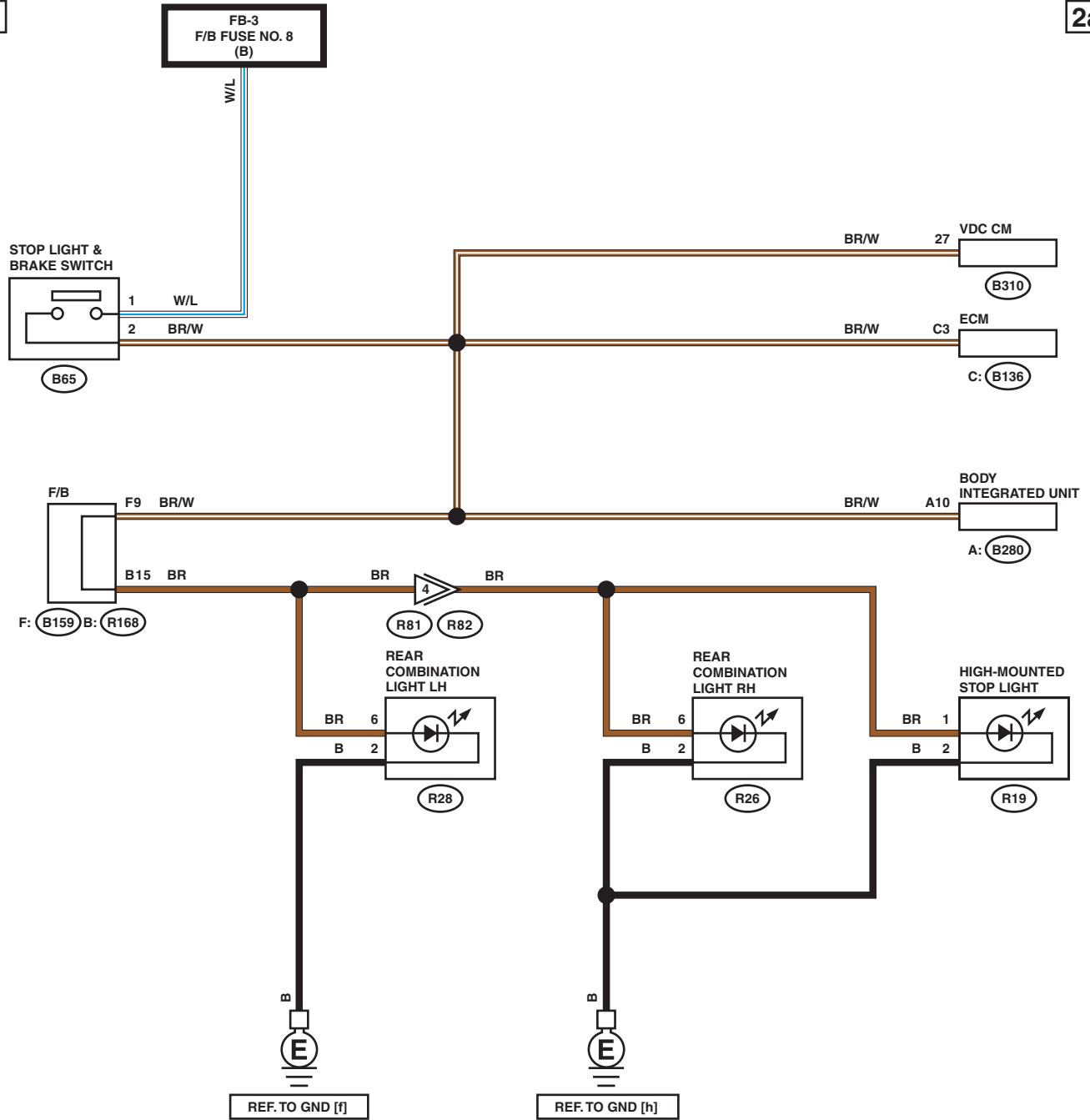
WI-44588

Stop Light System

2. ENGINE TYPE EJ

2a

2a



WI-44589

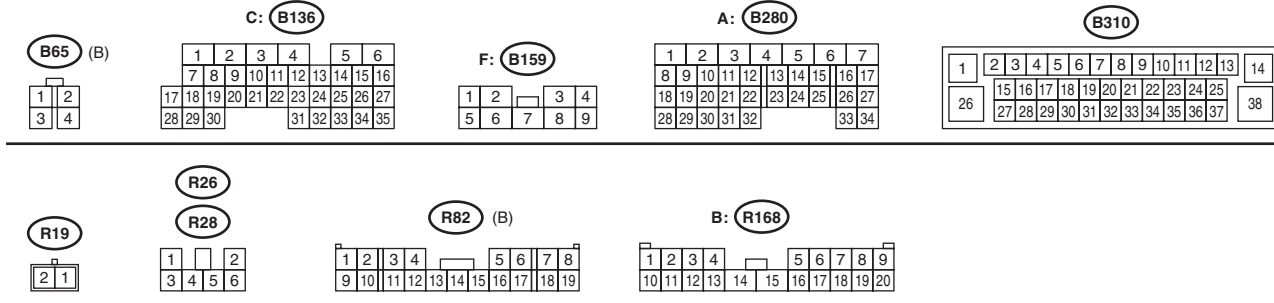
Stop Light System

WIRING SYSTEM

2b

2b

LIST OF CONNECTORS



WI-44590